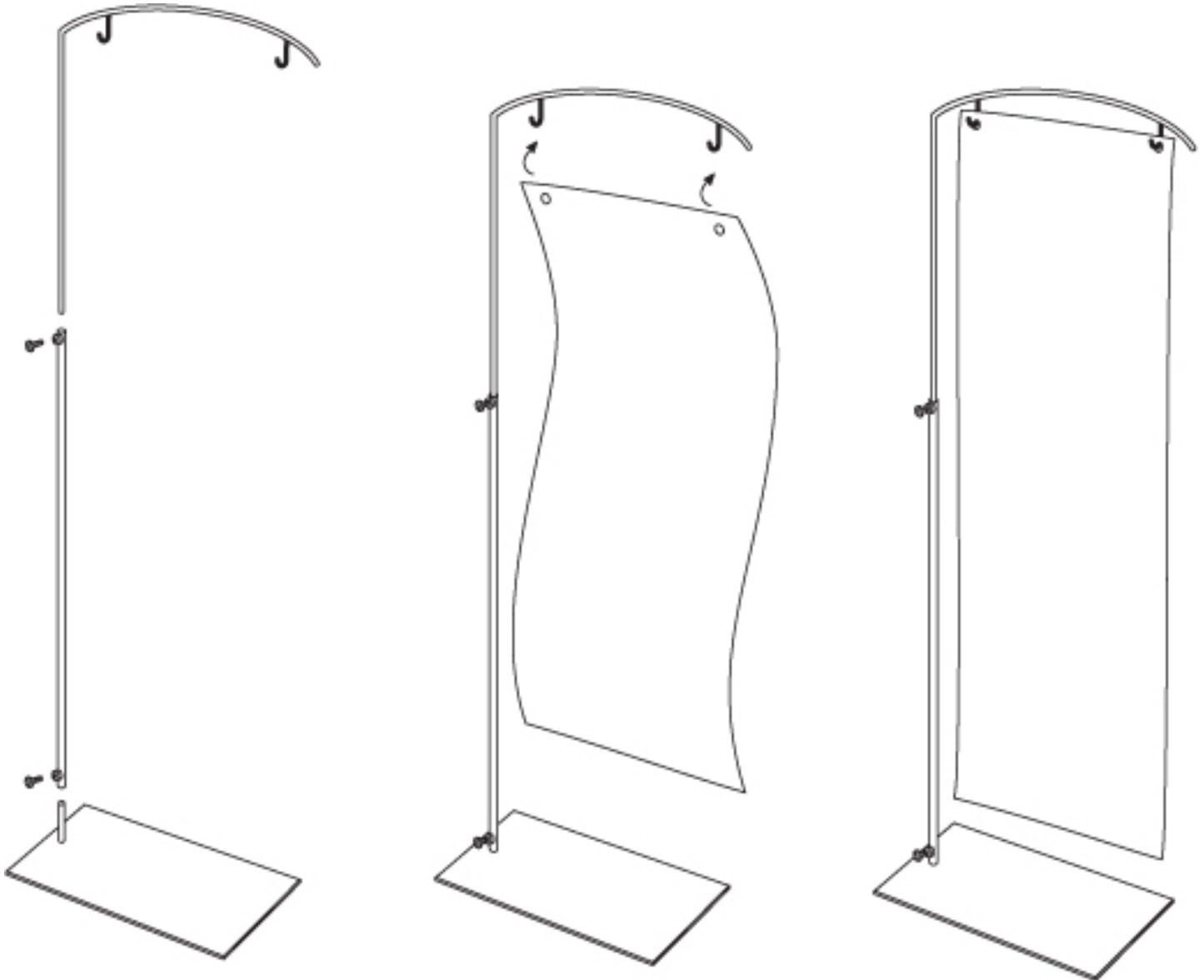


PQ Swing Banner Stand



STEP 1.

Place base on floor. Slide tube onto base and tighten with thumbscrew. Slide top arm into tube and adjust with thumb screw

STEP 2.

Place banner onto "J" hooks.

STEP 3.

Adjust to height with thumb screw.