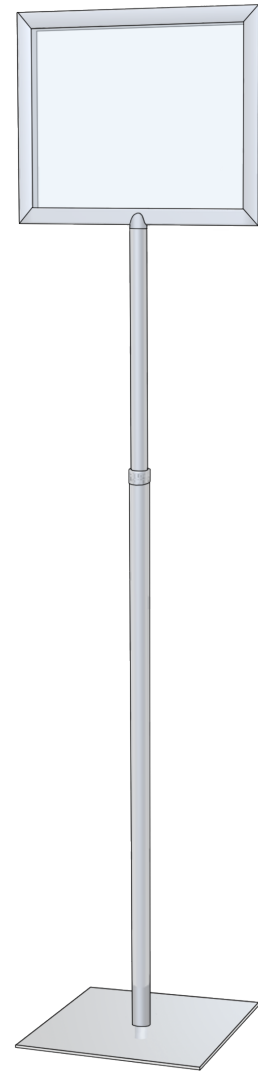
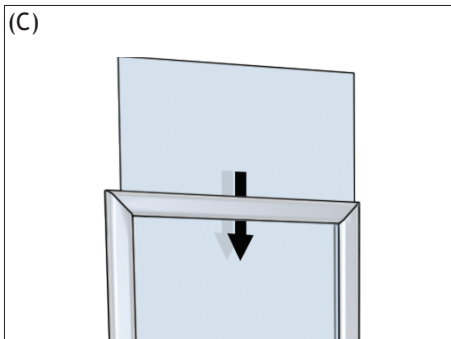
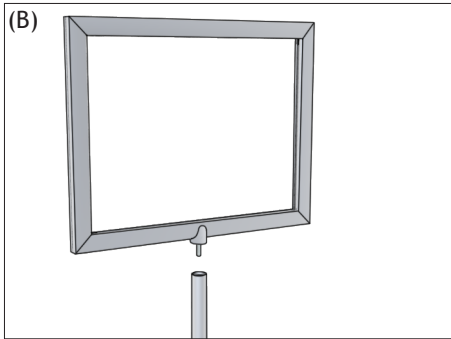
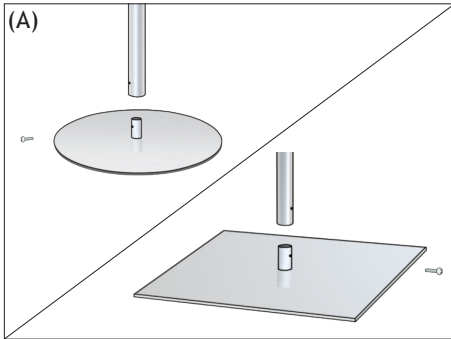


# Pedestal Sign Holder Poster Stand

1. Attach pole to base using screw provided (fig. A).
2. Screw frame onto pole. Do not overtighten (fig. B).
3. Insert graphic into frame (fig. C).



## ACCESSORY

